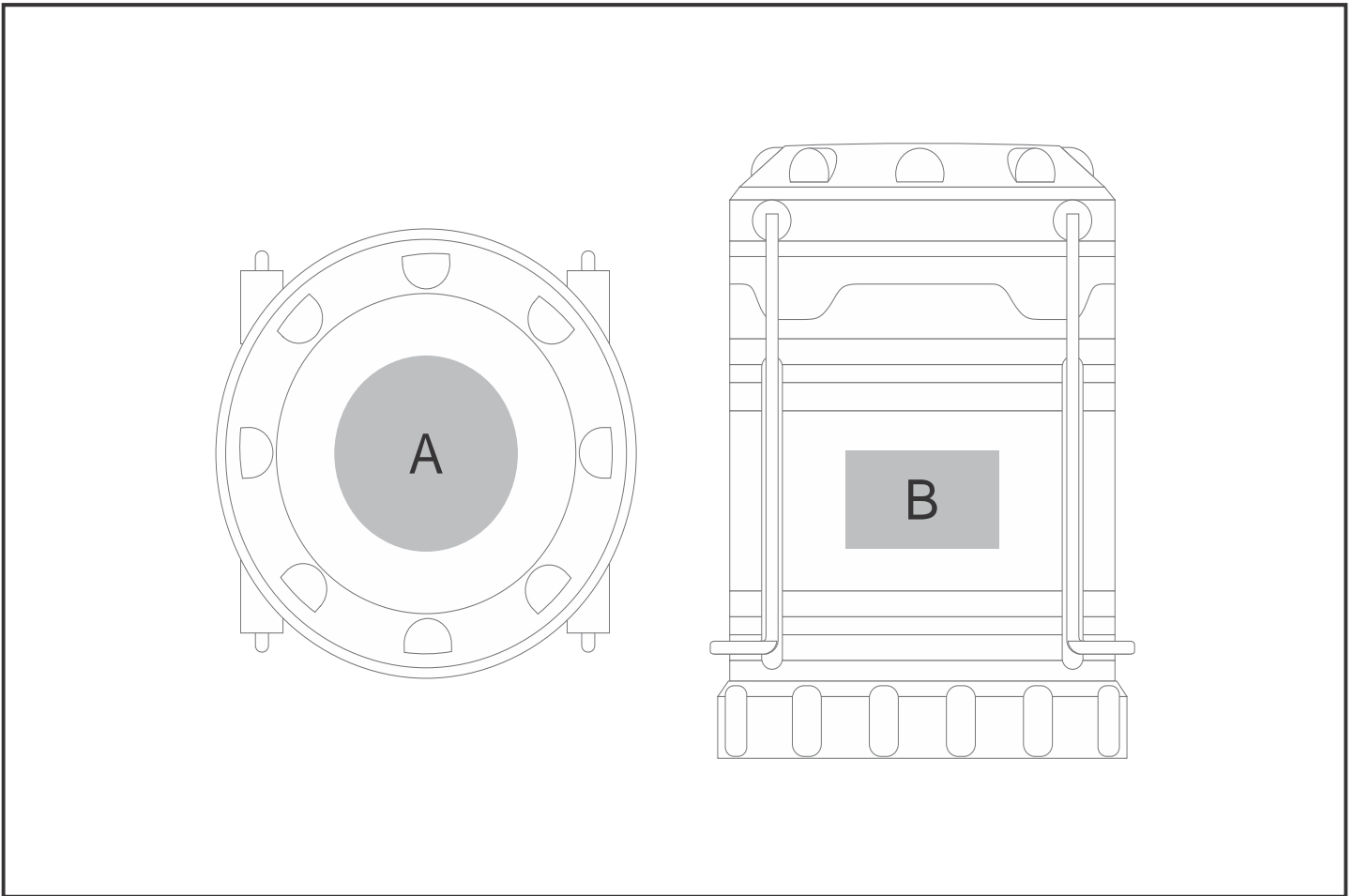


TOOL-8210

Polaris Midi Lantern



Need to know:

- Includes 1-Colour, 1-Position Pad Print (setup fee applies)

Branding Options:

Position	Branding Method (Branding Code)	No. of Colours	Dimension
A	Pad Printing (PB)	2 Colours	30mm wide x 30mm high
B	Pad Printing (PB)	2 Colours	25mm wide x 15mm high